

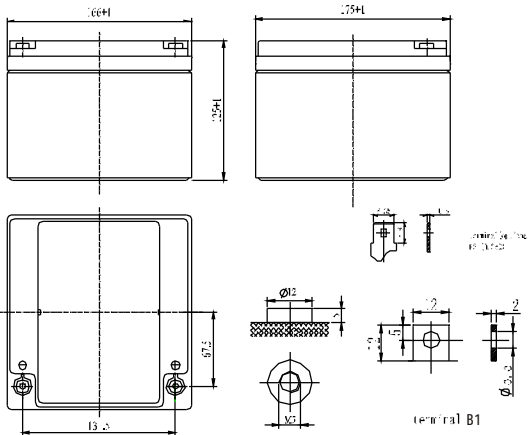
MAINTENANCE-FREE RECHARGEABLE BATTERY

General Features

- Absorbent Glass Mat (AGM) technology for efficient gas recombination of up to 99% and freedom from electrolyte maintenance or water adding.
- Not restricted for air transport-complies with IATA/ICAO Special Provision A67.
- UL-recognized component.
- Can be mounted in any orientation.
- Computer designed lead, calcium tin alloy grid for high power density.
- Long service life, float or cyclic applications.
- Maintenance-free operation.
- Low self discharge.

Dimensions and Weight

Length(mm / inch)	166 / 6.54
Width(mm / inch)	175 / 6.89
Height(mm / inch)	125 / 4.92
Total Height(mm / inch)	125 / 4.92
Approx. Weight(Kg / lbs)	8.1/17.9
Standard Terminal	B1
Optional Terminal	F2 I



Specification

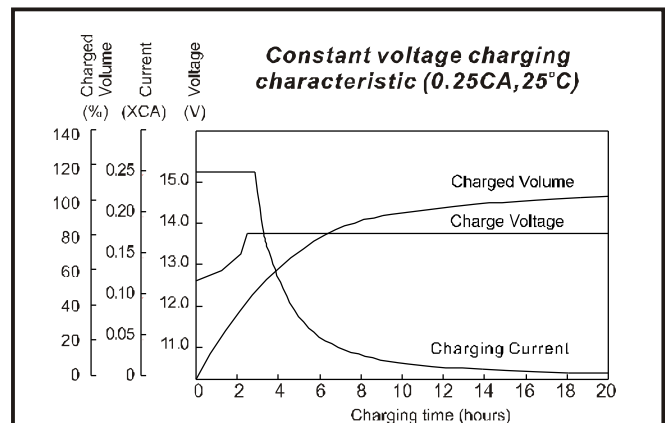
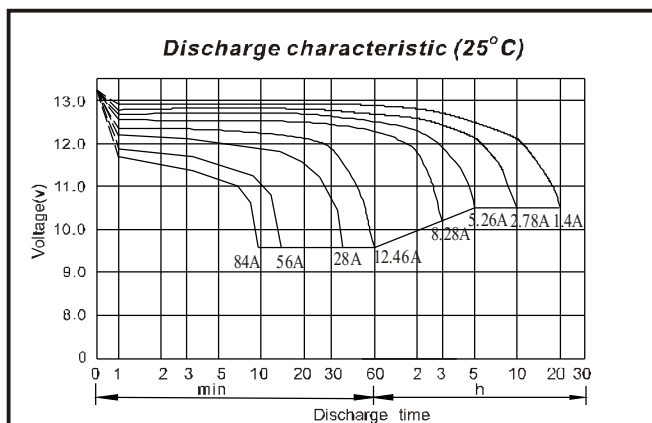
Nominal Voltage	12V
Number of cell	6
Design Life	10 years
Nominal Capacity 77°F(25°C)	
20 hour rate (1.3A, 10.5V)	26Ah
10 hour rate (2.58A, 10.5V)	25.76Ah
5 hour rate (4.88A, 10.5V)	24.38Ah
1 hour rate (18.42A, 9.6V)	18.42Ah
Internal Resistance	
Fully Charged battery 77°F(25°C)	12mOhms
Self-Discharge	
3% of capacity declined per month at 20°C(average)	
Operating Temperature Range	
Discharge	-20~60°C
Charge	-10~60°C
Storage	-20~60°C
Max. Discharge Current 77°F(25°C)	420A(5s)
Short Circuit Current	1300A
Charge Methods: Constant Voltage Charge 77°F(25°C)	
Cycle use	14.5-14.9V
Maximum charging current	8.4A
Temperature compensation	-30mV/°C
Standby use	13.6-13.8V
Temperature compensation	-20mV/°C

Discharge Constant Current (Amperes at 77°F25°C)

End Point Volts/Cell	5min	10min	15min	30min	1h	3h	5h	10h	20h
1.60V	87.0	60.8	44.7	26.0	14.4	6.63	4.60	2.44	1.24
1.65V	82.5	57.9	42.7	25.0	13.9	6.42	4.50	2.40	1.23
1.70V	77.8	54.9	40.7	23.9	13.3	6.20	4.38	2.35	1.22
1.75V	73.0	51.8	38.6	22.7	12.7	5.95	4.25	2.30	1.20
1.80V	68.1	48.7	36.4	21.5	12.1	5.69	4.10	2.24	1.18

Discharge Constant Power (Watts at 77°F25°C)

End Point Volts/Cell	5min	10min	15min	30min	45min	1h	2h	3h	5h
1.60V	172	112	83.7	51.2	37.2	29.5	18.8	12.9	8.17
1.65V	161	106	79.2	48.6	35.5	28.2	18.2	12.6	8.03
1.70V	150	99.3	74.6	46.0	33.7	26.9	17.6	12.3	7.87
1.75V	140	92.7	70.0	43.3	31.9	25.6	16.9	11.9	7.70
1.80V	130	86.2	65.3	40.6	30.0	24.2	16.2	11.5	7.51



MAINTENANCE-FREE RECHARGEABLE BATTERY

