

General Features

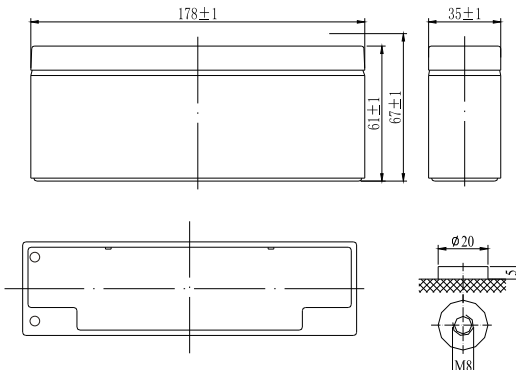
- Silica gel technology for longer cycle life and better performance at cold ambient temperatures.
- Special sheet separator and colloidal or foamed silica.
- Deep discharge cycle increased by 50% as compared with the AGM battery.
- High reliability and quality.
- Excellent recovery from deep discharge.
- Living up prevailing standards.

Specification

Nominal Voltage	12V
Number of cell	6
Design Life	10 Years
Nominal Capacity 77°F(25°C)	
20 hour rate (11.5A, 10.5V)	230AH
10 hour rate (20A, 10.5V)	201AH
5 hour rate (43.24A, 10.5V)	216.2AH
1 hour rate (151.8A, 9.6V)	151.8AH
Internal Resistance	
Fully Charged battery 77°F(25°C)	60mOhms
Self-Discharge	
3% of capacity declined per month at 20°C(average)	
Operating Temperature Range	
Discharge	-20~60°C
Charge	-10~60°C
Storage	-20~60°C
Max. Discharge Current 77°F(25°C)	2300A(5s)
Short Circuit Current	5175A
Charge Methods: Constant Voltage Charge 77°F(25°C)	
Cycle use	14.5-14.9V
Maximum charging current	69A
Temperature compensation	-30mV/°C
Standby use	13.6-13.8V
Temperature compensation	-20mV/°C

Dimensions and Weight

Length(mm / inch)	521/20.53
Width(mm / inch)	269/10.60
Height(mm / inch)	203/8.00
Total Height(mm / inch)	203/8.00
Approx. Weight(Kg / lbs)	70 / 150.4
Standard Terminal	I



Discharge Constant Current (Amperes at 77°F25°C)

End Point Volts/Cell	5min	10min	15min	30min	1h	3h	5h	10h	20h
1.60V	805	552	402	241	152	62.7	43.9	21.3	24.3
1.65V	724	503	391	234	151	62.5	43.5	20.9	23.9
1.70V	687	485	377	230	150	62.3	43.4	20.8	23.8
1.75V	611	448	356	225	149	62.1	43.2	20.4	23.4
1.80V	552	416	340	218	147	61.8	42.7	20.0	23.0

Discharge Constant Power (Watts at 77°F25°C)

End Point Volts/Cell	5min	10min	15min	30min	1h	3h	5h	10h
1.60V	1327	915	713	455	299	121	83.9	48.7
1.65V	1258	903	706	446	289	120	83.8	48.1
1.70V	1175	880	694	434	281	120	83.7	47.6
1.75V	1094	823	653	423	278	118	83.1	46.9
1.80V	982	765	614	411	274	117	81.6	46.0

