

## GEL RECHARGEABLE BATTERY FOR HIGH RATE USE

### General Features

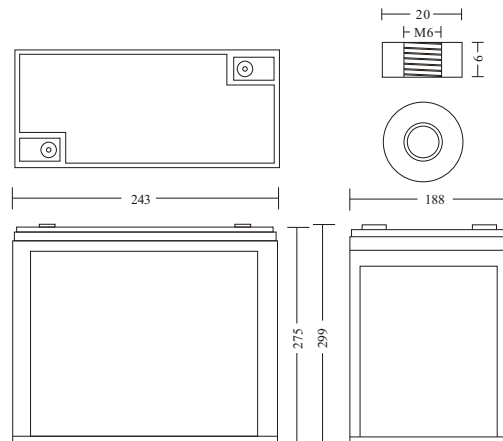
- Silica gel technology for longer cycle life and better performance at cold ambient temperatures.
- Special sheet separator and colloidal or foamed silica.
- Deep discharge cycle increased by 50% as compared with the AGM battery.
- High reliability and quality.
- Excellent recovery from deep discharge.
- Living up prevailing standards.

### Specification

|                                                    |            |
|----------------------------------------------------|------------|
| Nominal Voltage                                    | 6V         |
| Number of cell                                     | 3          |
| Design Life                                        | 10 Years   |
| Nominal Capacity 77°F(25°C)                        |            |
| 20 hour rate (20A, 5.25V)                          | 200Ah      |
| 10 hour rate (18A, 5.25V)                          | 180Ah      |
| 5 hour rate (31.06A, 5.25V)                        | 155.3Ah    |
| 1 hour rate (121.6A, 4.8V)                         | 121.6Ah    |
| Internal Resistance                                |            |
| Fully Charged battery 77°F(25°C)                   | 16mOhms    |
| Self-Discharge                                     |            |
| 3% of capacity declined per month at 20°C(average) |            |
| Operating Temperature Range                        |            |
| Discharge                                          | -20~60°C   |
| Charge                                             | -10~60°C   |
| Storage                                            | -20~60°C   |
| Max. Discharge Current 77°F(25°C)                  | 2000A(5s)  |
| Short Circuit Current                              | 4500A      |
| Charge Methods: Constant Voltage Charge 77°F(25°C) |            |
| Cycle use                                          | 7.25-7.45V |
| Maximum charging current                           | 60A        |
| Temperature compensation                           | -15mV/°C   |
| Standby use                                        | 6.8-6.9V   |
| Temperature compensation                           | -10mV/°C   |

### Dimensions and Weight

|                          |          |
|--------------------------|----------|
| Length(mm / inch)        | 243/9.55 |
| Width(mm / inch)         | 188/7.39 |
| Height(mm / inch)        | 275/10.8 |
| Total Height(mm / inch)  | 299/11.7 |
| Approx. Weight(Kg / lbs) | 33/72.7  |
| Standard Terminal        | I        |

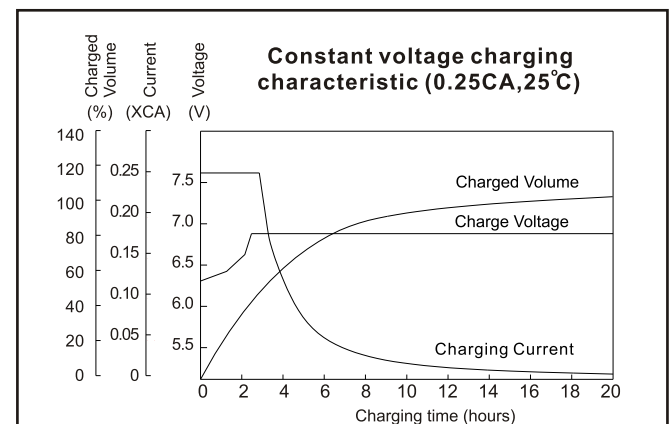
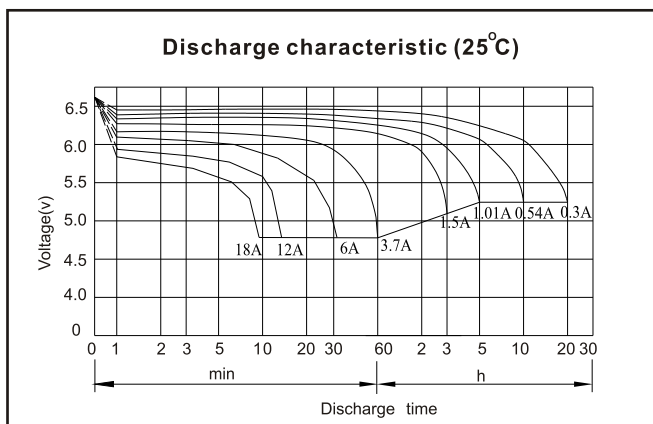


### Discharge Constant Power (Watts at 77°F25°C)

| End Point Volts/Cell | 5min | 10min | 15min | 30min | 1h  | 3h   | 5h   | 10h  | 2h   |
|----------------------|------|-------|-------|-------|-----|------|------|------|------|
| 1.60V                | 1224 | 895   | 658   | 395   | 231 | 93.6 | 61.2 | 37.7 | 64.8 |
| 1.65V                | 1199 | 855   | 645   | 389   | 230 | 93.5 | 60.8 | 37.4 | 63.6 |
| 1.70V                | 1132 | 826   | 637   | 385   | 228 | 92.8 | 60.6 | 37.1 | 62.4 |
| 1.75V                | 1019 | 763   | 606   | 376   | 226 | 92.3 | 60.1 | 36.7 | 61.2 |
| 1.80V                | 917  | 693   | 557   | 359   | 220 | 90.1 | 59.2 | 36.4 | 59.7 |

### Discharge Constant Current (Amperes at 77°F25°C)

| End Point Volts/Cell | 5min | 10min | 15min | 30min | 1h  | 3h   | 5h   | 10h  | 20h  |
|----------------------|------|-------|-------|-------|-----|------|------|------|------|
| 1.60V                | 684  | 490   | 357   | 210   | 121 | 48.8 | 31.7 | 18.6 | 20.2 |
| 1.65V                | 666  | 466   | 349   | 206   | 120 | 48.6 | 31.6 | 18.5 | 20.1 |
| 1.70V                | 628  | 450   | 344   | 205   | 119 | 48.2 | 31.4 | 18.3 | 20.1 |
| 1.75V                | 564  | 416   | 328   | 200   | 118 | 48.0 | 31.1 | 18.0 | 20.0 |
| 1.80V                | 509  | 378   | 301   | 190   | 116 | 46.8 | 30.5 | 17.9 | 20.0 |



### GEL RECHARGEABLE BATTERY FOR HIGH RATE USE

