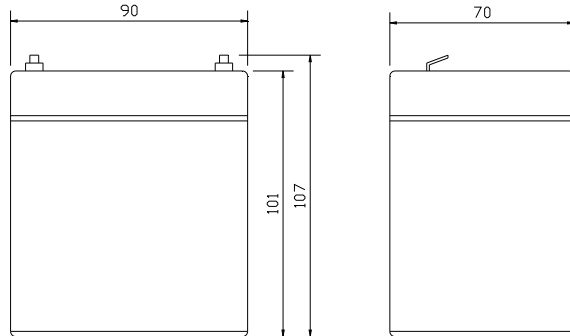


Unit:mm(±0.50)



Technical Specifications

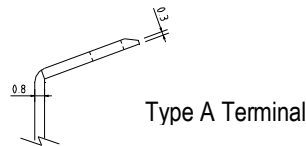
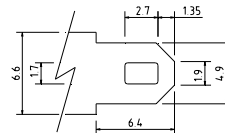
Nominal Voltage	12V
Nominal Capacity	4.5AH(20HR)
Dimension	
Length	3.54inch(90mm)
Width	2.76inch(70mm)
Height	3.98inch(101mm)
Total Height /w Terminal	4.21inch(107mm)
Weight	Approx 3.39lb(1.54kg)
Standard terminal	Type A

Capacity Specifications

Cut Off Voltage		
1.75v/c@25°C	20Hr Rate(0.225A)	4.5AH
1.75v/c@25°C	10Hr Rate(0.42A)	4.2AH
1.75v/c@25°C	5Hr Rate(0.74A)	3.7AH
1.67v/c@25°C	1Hr Rate(2.8A)	2.8AH
1.67v/c@25°C	15Min Rate(7.8A)	1.95AH

Charging Specifications

		Bloc
Charge Voltage (constant)	Float	13.5~13.8
	Cycle	14.4~14.7
Internal Resistance (Fully Charged Battery)	<41mΩ	
Discharge Current Amps (5 seconds maximum)	67.5	
Max. Charge Current	1.35A	
Self Discharge	6 Months@25°C	



Type A Terminal

Actual Current & Wattage Capacity at Various Discharges (Voltage @25°C)

Time (minutes) Final Voltage		5	10	15	30	45	60	180	300	480	600	1200
	9.6V	A	16.38	10.34	7.98	4.86	3.58	2.89	1.18	0.78	0.54	0.447
W		167.59	107.26	83.64	51.77	38.71	31.47	13.26	8.94	6.19	5.197	2.976
10.02V	A	15.59	10.07	7.80	4.74	3.51	2.80	1.16	0.77	0.53	0.439	0.235
	W	160.73	104.24	81.59	50.80	38.00	30.88	13.07	8.84	6.13	5.145	2.943
10.2V	A	14.60	9.72	7.57	4.63	3.44	2.77	1.14	0.76	0.52	0.431	0.231
	W	152.55	100.80	79.12	49.64	37.24	30.30	12.85	8.70	6.02	5.067	2.895
10.5V	A	13.60	9.31	7.31	4.51	3.36	2.71	1.12	0.74	0.51	0.420	0.225
	W	144.18	97.22	76.56	48.42	36.35	29.71	12.61	8.52	5.90	4.965	2.839
10.8V	A	12.66	8.90	7.00	4.40	3.29	2.65	1.10	0.73	0.50	0.417	0.224
	W	133.17	92.56	73.94	47.02	35.32	29.03	12.34	8.32	5.77	4.855	2.774