



Specification

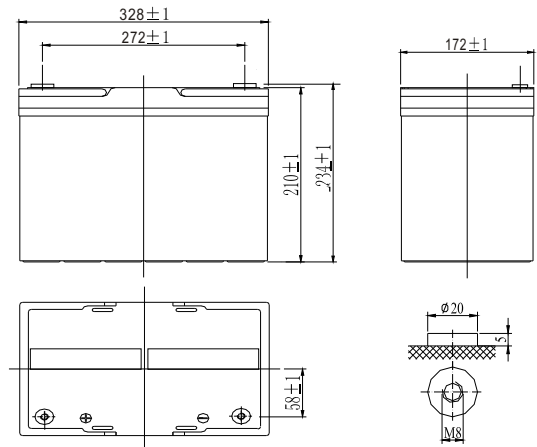
Nominal Voltage	12V
Number of cell	6
Design Life	10 years
Nominal Capacity 77°F(25°C)	
20 hour rate(5.5A, 10.5V)	110Ah
10 hour rate(10.5A, 10.5V)	105Ah
5 hour rate(19.0A, 10.5V)	95.0Ah
1 hour rate(72.6A, 9.6V)	72.6Ah
Internal Resistance	
Fully Charged battery 77°F(25°C)	4.3mOhms
Self-Discharge	
3% of capacity declined per month at 20°C(average)	
Operating Temperature Range	
Discharge	-30~60°C
Charge	-20~60°C
Storage	-30~60°C
Max. Discharge Current 77°F(25°C)	950A(5s)
Short Circuit Current	1875A
Charge Methods: Constant Voltage Charge 77°F(25°C)	
Cycle use	14.4-14.7V
Maximum charging current	30A
Temperature compensation	-30mV/°C
Standby use	13.6-13.8V
Temperature compensation	-20mV/°C

General Features

- Silica gel technology for longer cycle life and better performance at cold ambient temperatures.
- Special sheet separator and colloidal or foamed silica.
- Deep discharge cycle increased by 50% as compared with the AGM battery.
- High reliability and quality.
- Excellent recovery from deep discharge.
- Living up prevailing standards.

Dimensions and Weight

Length(mm / inch)	328/12.91
Width(mm / inch)	172/6.77
Height(mm / inch)	234/9.22
Total Height(mm / inch)	239/9.42
Approx. Weight(Kg / lbs)	35.0 / 77.2
Standard Terminal	I



Discharge Constant Current (Amperes at 77°F25°C)

End Point Volts/Cell	5min	10min	15min	30min	1h	3h	5h	10h	20h
1.60V	350	240	175	105	72.6	30.2	19.8	11.0	5.80
1.65V	315	219	170	102	72.5	29.9	19.4	10.8	5.70
1.70V	299	211	164	100	72.3	29.8	19.2	10.7	5.65
1.75V	266	195	155	98.0	71.5	29.7	19.0	10.5	5.50
1.80V	240	181	148	95.0	70.6	29.6	18.6	10.3	5.40

Discharge Constant Power (Watts at 77°F25°C)

End Point Volts/Cell	5min	10min	15min	30min	1h	3h	5h	10h
1.60V	577	398	310	198	130	52.4	36.5	21.2
1.65V	547	393	307	194	125	52.3	36.4	20.9
1.70V	511	383	302	189	122	52.2	36.3	20.7
1.75V	476	358	284	184	121	51.6	36.1	20.4
1.80V	427	333	267	179	119	50.9	35.5	20.0

