

## VRLA Rechargeable Battery

# BC200-12 (BC200-12FR)

### FEATURES

- Maintenance free(no water topping-up required)
- No free acid(Non-spillable battery)
- Can be used in any orientation(excluding used inverted)
- Flame-arrestor is installed to ensure safety
- Carry handles for easy installation
- Absorbent Glass Mat technology for efficient gas recombination

### APPLICATION

- UPS
- Telecom



### SPECIFICATIONS

Nominal Voltage	12V	
Nominal Capacity	20 Hour Rate (10.0A, 10.5V)	200 Ah
	10 Hour Rate (19.0A, 10.5V)	190 Ah
	5 Hour Rate (34.0A, 10.5V)	170 Ah
	1 Hour Rate (120.0A,9.6V)	120 Ah
Approx. Weight	55.0Kg(121.3lbs.)	
Terminals	B9 (Fitting M8 bolt & nut) I3 is optional	
Max. Discharge Current	800 A (5 sec.)	
Max. Charge Current	60 A	
Operating Temperature Range	Charge	0°C~40°C(32°F~104°F)
	Discharge	-20°C~50°C(-4°F~122°F)
	Storage	-20°C~40°C(-4°F~104°F)
Self Discharge	< 3% per month (25°C)	
Internal Resistance	≤ 3.5mΩ (Fully Charged )	

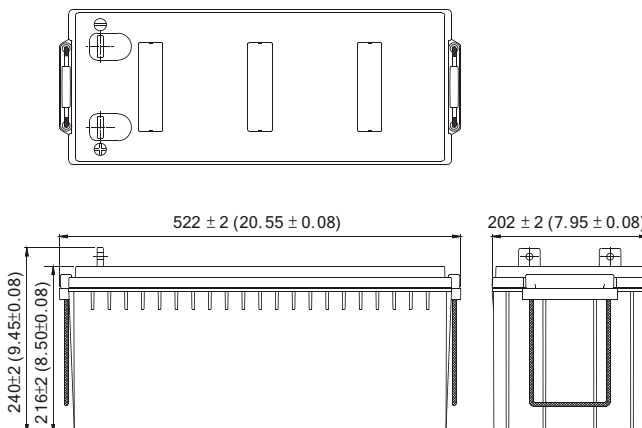
### CONTAINER MATERIAL

- BC200-12:  
ABS: UL 94-HB (Dark gray color)
- BC200-12FR:  
ABS: UL 94-V0 (Light gray color)

 ISO 9001	 ISO14001
 UL	 CE
 TS 1352-2 EN 60896-21	 JIS C 8702
<ul style="list-style-type: none"> <li>● IEC61056</li> <li>● GB/T 19639</li> </ul>	<ul style="list-style-type: none"> <li>● JIS C 8702</li> </ul>

### OUTER DIMENSIONS mm(inch)

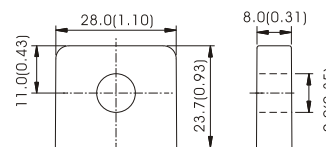
Length (L)	Width (W)	Container Height (H)	Total Height (TH)
522±2.0(20.55±0.08)	202±2.0(7.95±0.08)	216±2.0(8.50±0.08)	B9: 240±2.0(9.45±0.08) I3: 220±2.0(8.66±0.08)



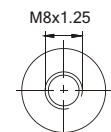
### TERMINAL TYPE

● Terminal B9

● Terminal I3



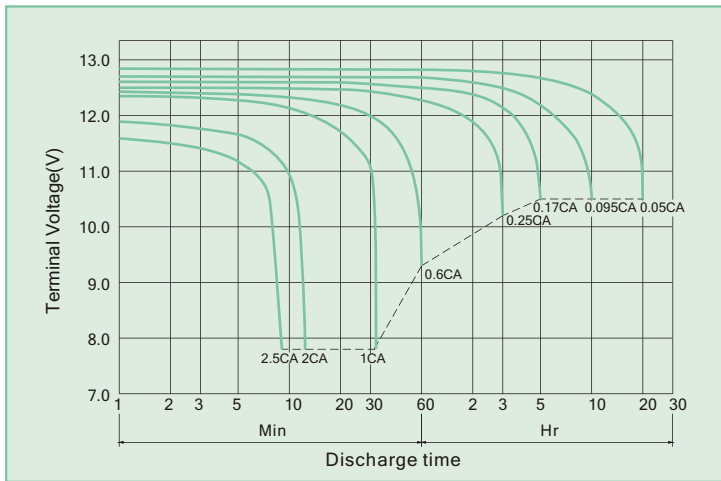
[M8 BOLT & NUT]



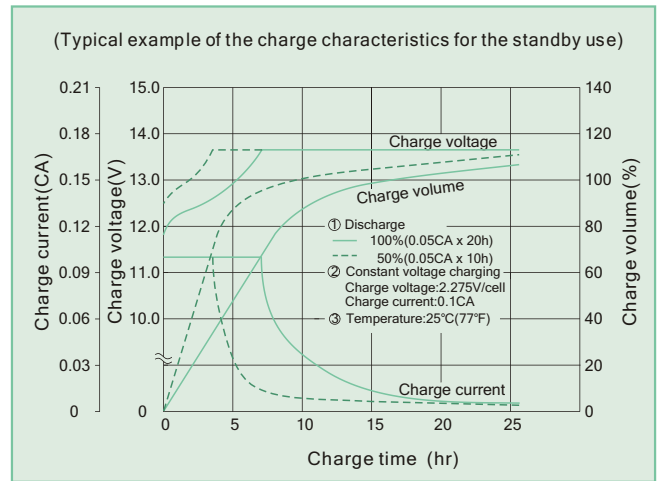
[M8 BOLT]

Terminal Hardware Initial Torque: B9,I3(10.0Nm±5%)

**BC200-12 (BC200-12FR) discharge characteristics (25°C/77°F)**



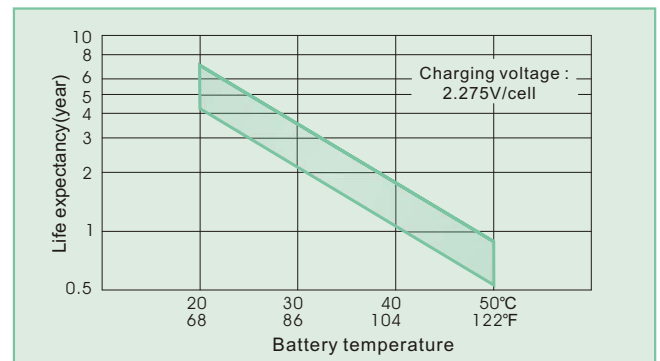
**Battery Charging Characteristics**



**Charging Procedure**

Application	Charging method	Charging Voltage at 25°C (V/cell)	Temperature compensation coefficient of charging voltage (mV/°C/cell)	Max. charging current (CA)	Charging time 0.1CA, 25°C (h)		Temp (°C)
					100% discharge	50% discharge	
For standby power Source	Constant voltage & Constant current charging (with current restriction)	2.25~2.30	-3	0.3	24	20	0~40 (32~104°F)
For cycle service		2.40~2.50	-4	0.3	16	10	

**Effect Of Temperature On Long Term Float Life**



**Constant power discharge characteristics at 25 °C/77 °F Unit: W**

F.V. (V/cell) \ Discharge Time	15 Min	30 Min	1 Hr	3 Hr	5 Hr	10 Hr	20 Hr
1.80V	3346.2	2266.8	1426.4	583.0	402.0	224.6	118.2
1.75V	3499.2	2354.2	1469.2	594.6	408.0	228.0	120.0
1.70V	3605.4	2407.4	1495.6	600.0	410.2	229.2	120.6
1.65V	3690.0	2441.6	1513.8	604.2	411.6	229.8	121.0
1.60V	3762.0	2466.2	1528.8	607.8	412.8	229.8	121.0

**Constant current discharge characteristics at 25 °C/77 °F Unit: A**

F.V. (V/cell) \ Discharge Time	15 Min	30 Min	1 Hr	3 Hr	5 Hr	10 Hr	20 Hr
1.80V	299.0	194.0	119.8	48.6	33.6	18.8	9.8
1.75V	312.6	201.4	123.4	49.6	34.0	19.0	10.0
1.70V	322.4	206.2	125.8	50.0	34.2	19.2	10.0
1.65V	329.8	209.0	127.2	50.4	34.4	19.2	10.0
1.60V	336.4	211.0	128.4	50.6	34.4	19.2	10.0

All data shall be changed without prior notice, BB reserves the right to explain and update the information contained hereinto.

To Sader Trial A/0 REV. Nov. 2010

**USA:**  
B&B BATTERY(USA) INC.  
6415 RANDOLPH ST.COMMERCE, CA,90040 U.S.A.  
TEL:1-323-278-1900,1-800-278-8599  
FAX:1-323-278-1268  
E-Mail:sales@bb-battery.com

**CHINA FACTORY:**  
B.B. BATTERY CO., LTD.  
CHENG DONG TRIAL AREA,HUANG GANG,  
RAOPING, GUANG DONG,CHINA,515700  
TEL:86-768-7601001-2  
FAX:86-768-7601469  
E-Mail:maggy@bb-battery.com

**EUROPE:**  
B&B BATTERY(EUROPE) B.V.  
SUITE 8, HAAKSBERGWEG 33, 1101  
BP AMSTERDAM, THE NETHERLANDS  
TEL: 31-30-3200190  
MOBILE: 886-933896989  
E-Mail: gary@bb-battery.com

**HONG KONG:**  
B&B BATTERY(Hong Kong) Co.  
TEL:852-2311-4918  
FAX:852-2739-1182  
E-Mail:bbhk@hkstar.com

**JAPAN:**  
B&B BATTERY(JAPAN) CO., LTD.  
1375-11 NARAHARA-MACHI,HACHIOJI,  
TOKYO 193-0803, JAPAN.  
TEL:81-426-25-6375  
FAX:81-426-25-6375  
E-Mail:miyata@bb-battery.com

**TAIWAN:**  
B.B. BATTERY(TAIWAN) CO., LTD.  
TEL:886-6-502-5150  
FAX:886-6-589-8087  
E-Mail:kevin@bb-battery.com