

## General Features

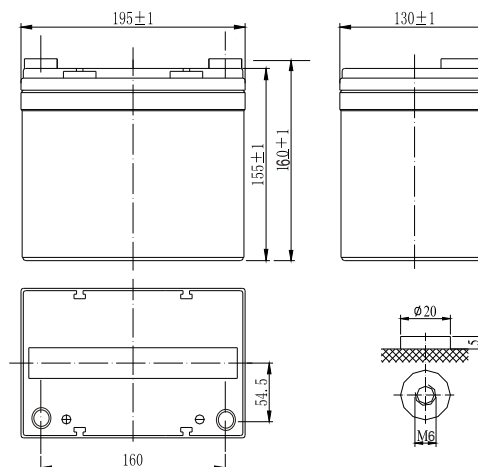
- Silica gel technology for longer cycle life and better performance at cold ambient temperatures.
- Special sheet separator and colloidal or foamed silica.
- Deep discharge cycle increased by 50% as compared with the AGM battery.
- High reliability and quality.
- Excellent recovery from deep discharge.
- Living up prevailing standards.

## Specification

Nominal Voltage	12V
Number of cell	6
Design Life	<b>8 years</b>
Nominal Capacity 77°F(25°C)	
20 hour rate (1.65A, 10.5V)	33Ah
10 hour rate (3.2A, 10.5V)	32Ah
5 hour rate (5.82A, 10.5V)	29.1Ah
1 hour rate (21.6A, 9.6V)	21.6Ah
Internal Resistance	
Fully Charged battery 77°F(25°C)	10mOhms
Self-Discharge	
3% of capacity declined per month at 20°C(average)	
Operating Temperature Range	
Discharge	-20~60°C
Charge	-10~60°C
Storage	-20~60°C
Max. Discharge Current 77°F(25°C)	330A(5s)
Short Circuit Current	850A
Charge Methods: Constant Voltage Charge 77°F(25°C)	
Cycle use	14.4-14.7V
Maximum charging current	9.9A
Temperature compensation	-30mV/°C
Standby use	13.6-13.8V
Temperature compensation	-20mV/°C

## Dimensions and Weight

Length(mm / inch)	195 / 7.68
Width(mm / inch)	130 / 5.12
Height(mm / inch)	155 / 6.10
Total Height(mm / inch)	160 / 6.30
Approx. Weight(Kg / lbs)	11 / 22.20
Standard Terminal	I



## Discharge Constant Current (Amperes at 77°F25°C)

End Point Volts/Cell	5min	10min	15min	30min	1h	3h	5h	10h	20h
1.60V	115	73.9	57.7	34.4	21.6	9.08	6.10	3.30	1.70
1.65V	109	70.2	54.8	33.3	21.4	8.89	6.04	3.30	1.70
1.70V	101	66.5	52.6	32.3	21.1	8.70	5.93	3.25	1.70
1.75V	93.4	62.8	49.7	31.2	20.8	8.50	5.82	3.20	1.65
1.80V	86.2	59.1	47.6	30.9	20.5	8.31	5.68	3.15	1.60

## Discharge Constant Power (Watts at 77°F25°C)

End Point Volts/Cell	5min	10min	15min	30min	45min	1h	2h	3h	5h
1.60V	215	150	112	71.8	53.6	43.7	24.2	17.7	11.7
1.65V	200	142	108	69.6	52.5	43.0	23.2	17.5	11.6
1.70V	185	133	103	67.5	51.4	42.3	22.4	17.3	11.5
1.75V	170	125	99.2	65.3	50.4	41.5	21.5	17.0	11.4
1.80V	160	116	95.0	63.0	49.3	40.8	22.4	16.8	11.4

